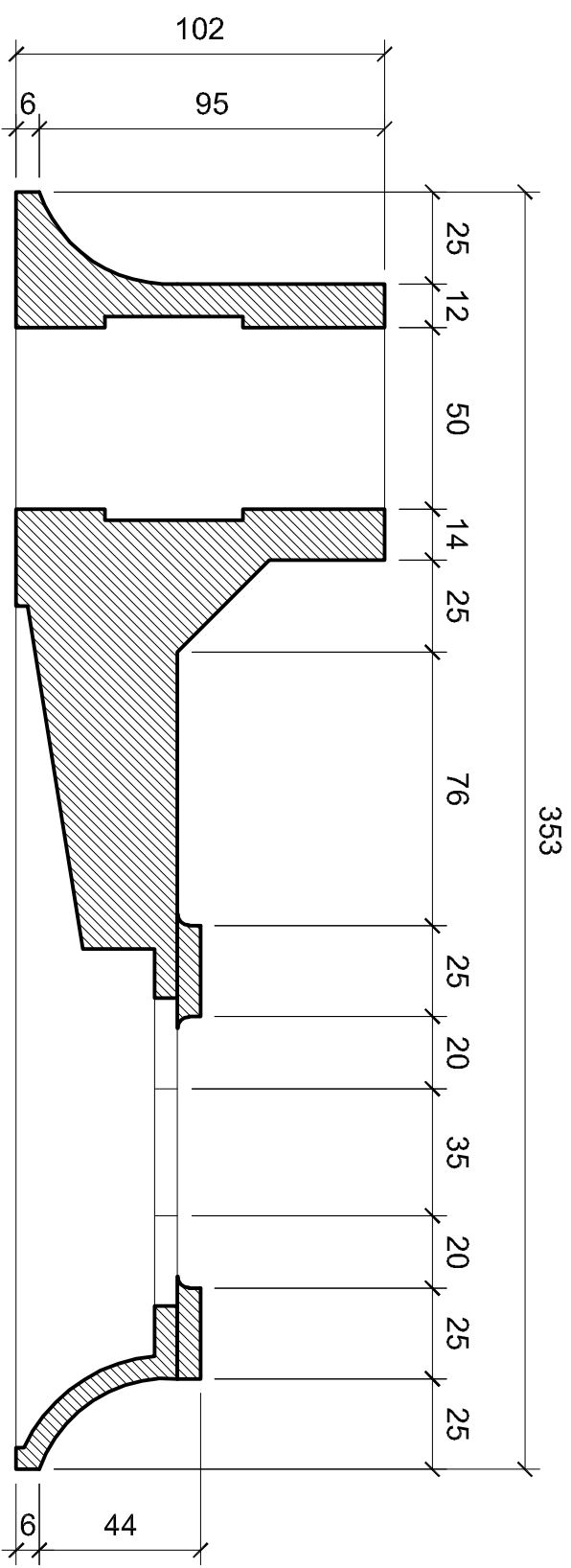


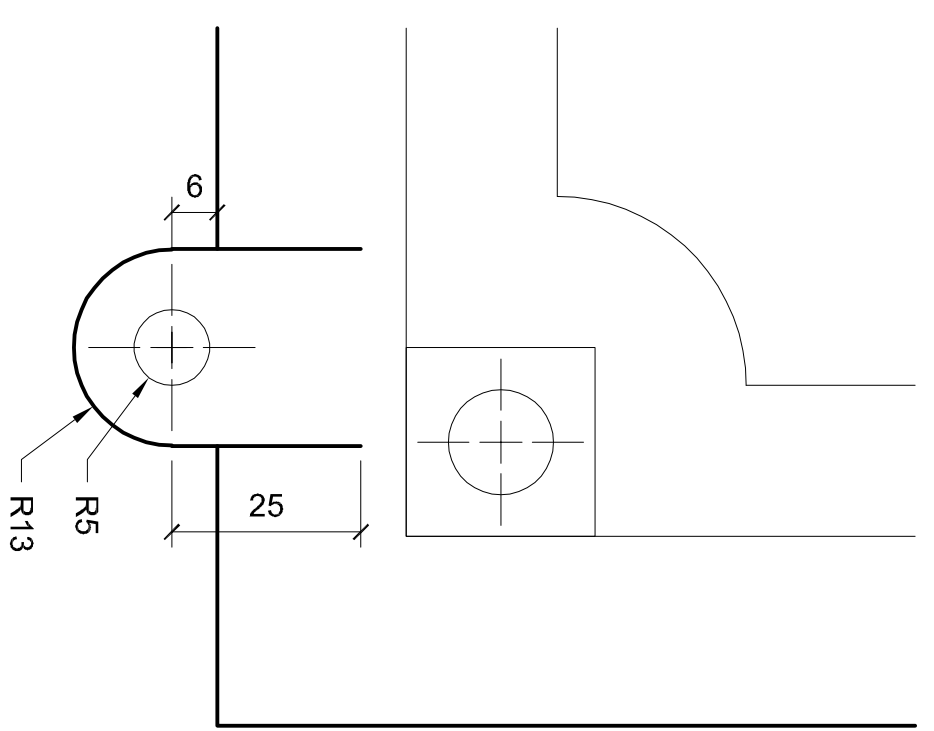
**TOP VIEW**

SCALE 1:2



**SECTION VIEW**

SCALE 1:2



**LUG DETAIL**

SCALE 1:1

**NOTES:**

1. ALL FILLETS AND ROUNDS 3R.
2. MATERIAL: TEMPERED STEEL.
3. TO BE USED WITH DRILL PRESS 3462.

Itemref	Quantity	Title/Name, designation, material, dimension etc	Article No./Reference
Designed by XXX		Checked by XXX	Date 00/00/00
		Approved by - date XXX - 00/00/00	Scale 1:1
		File name XXX	

XXX		XXX	
X	Edition 0	Sheet 1/1	